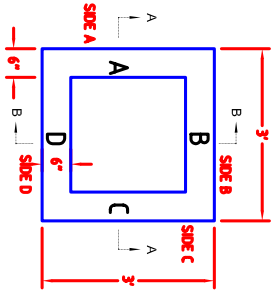


WICHITA SINGLE DROP INLET

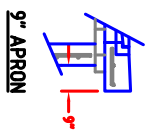
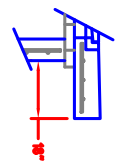


TOP VIEW

**FLUSH STYLE TOP
NO APRON**



18" APRON



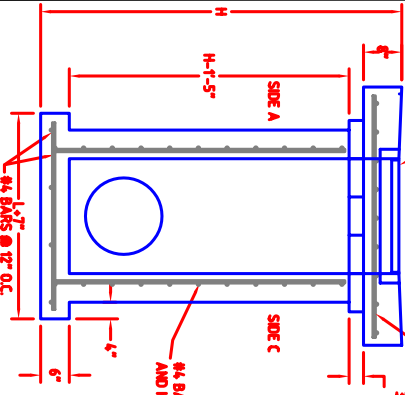
9" APRON

APRON TO EXTEND ON ALL 4 SIDES OF INLET

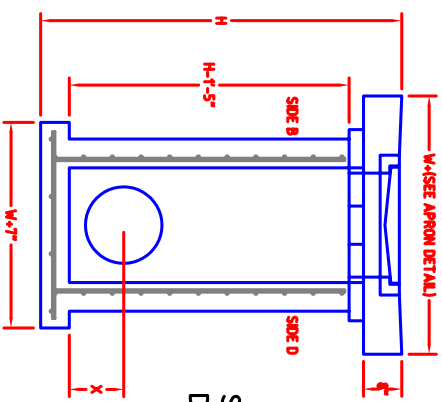
DEETER 2133 FLAG FOR 2'-2" SINGLE DROP
DEETER 2134 FLAG FOR 2'-4" DOUBLE DROP

TOP REINFORCING - #4 BARS @ 6" O.C. EACH
DIRECTION, 2" CLEAR FROM BOTTOM FACE

3" +/- BRICK ADJUSTMENT BRICK
TO BE SUPPLIED BY
CONTRACTOR



SECTION "A-A"



SECTION "B-B"

**SINGLE DROP = 2' x 2' INSIDE
DOUBLE DROP = 2' x 4' INSIDE**

